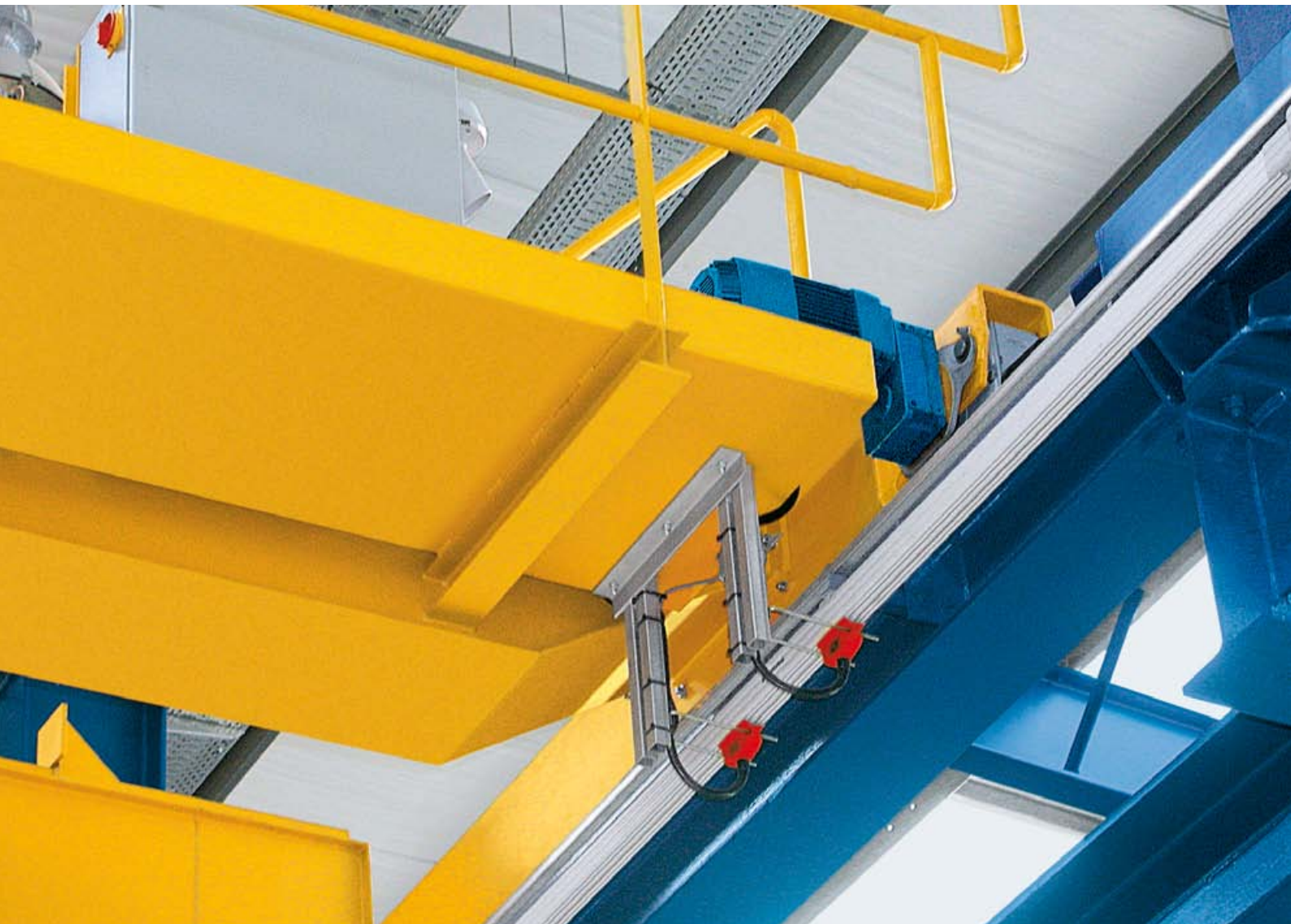
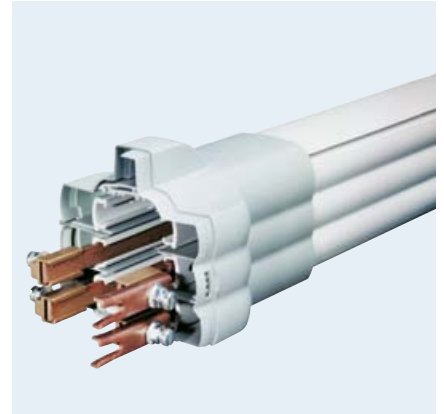


Demag Compact Line DCL

Compact, easy to install and service,
for heavy-duty applications



Technical data

Enclosure profile and conductors	
Enclosure material	PVC
Standard length (mm)	4000
Number of conductors/poles	max. 7
Max. suspension distance (mm)	2000
Max. voltage (V AC) ¹⁾	24 to 690
Size	35, 60, 100, 140, 200
Capacity (A at 100% CDF) ²⁾	64, 78, 100, 140, 160
Conductor cross-sections (mm ²)	10/15/25/38/56
Ambient temperature (°C) to DIN VDE0289T8	-30 to +70
Enclosure type	IP 23 / IP 24 ³⁾
Fire protection	to UL94/VO
Minimum curve radius (mm)	800

¹⁾ DC on request

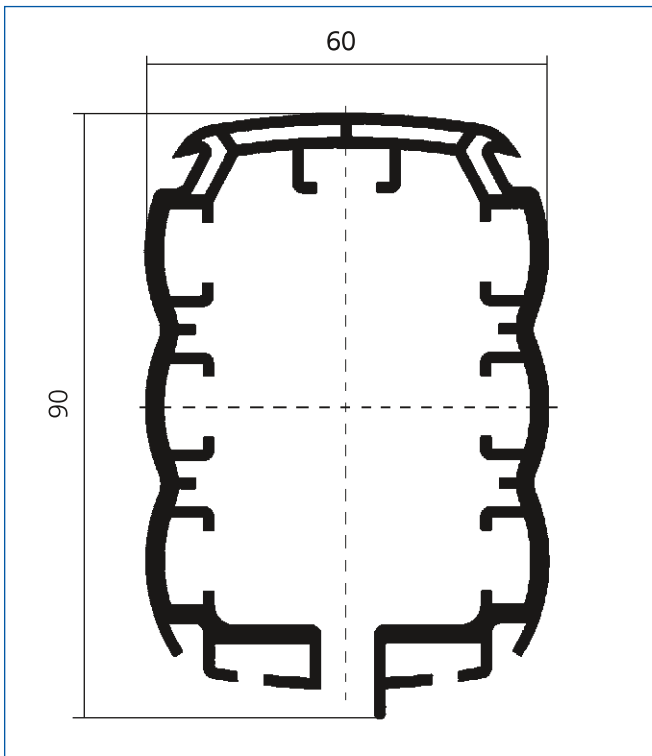
²⁾ to 35°C

³⁾ with sealing lip

Current collector trolley	
Number of poles	max. 7
Output	4 poles
Control signals	max. 3 poles
Rated current I_N at 80 % CDF max. (A)	40 (Bz ⁴⁾) / 20 (Gr. ⁵⁾)
Connection cross-section Output (mm ²) Control cable (mm ²)	max. 6 max. 2.5
Standard cable length (m)	2
Fusing max. (A)	100
Max. travel speed (m/min)	200

⁴⁾ with bronze sliding contact

⁵⁾ with graphite sliding contact for arduous operating conditions



Optimum enclosure profile

State-of-the-art design methods guarantee optimum efficiency, benefits and safety.

We would be pleased to help you design a power supply system to meet your needs.

The Demag Compact Line DCL – innovative details, benefits right down the line

Developed to meet practical needs, the high-profile Demag Compact Line DCL features numerous innovations.

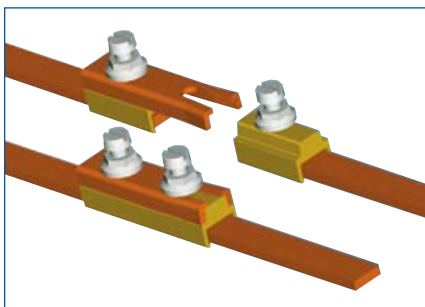
With its design, it not only looks good, it literally features more:

- easy installation with pre-assembled connectors
- expansion accommodated at every joint
- the system can be inspected at every joint
- fast and simple replacement of straight sections
- compact dimensions and high rigidity for a low deadweight
- simply attached to ceilings and steel superstructures
- protected power cables integrated in the current collector trolley
- pre-assembled sliding contacts connected and fixed with just one screw

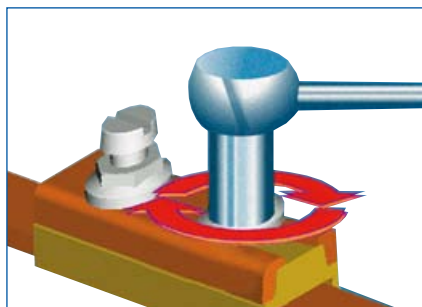


Assembly: unbeatably quick and easy...

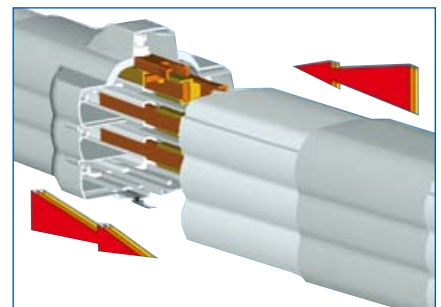
The Demag Compact Line DCL can be quickly installed thanks to its innovative connection principle. Only consisting of conductor connectors and the joint cover, the new connections are fully pre-assembled. To assemble the conductor line, only one screw per conductor needs to be tightened and the cover halves clicked together.



Simple assembly –
1. Connect the conductors



2. Tighten the screw



3. Push the joint connectors together
Finished!



...and the same for all cross-sections

Assembly is made even easier by virtue of the fact that the connection principle is the same for all cross-sections and features no loose parts. And no additional expansion connectors are required, since the joint connectors perform this function.

The power feed: universal

Another innovative and easily installed feature, the power feed can be fitted at either end of the line or anywhere along it. A new quick connection principle also makes it easy to connect the cables.

The range of applications: versatile

The Demag Compact Line DCL is designed for currents up to 200 A at 60% CDF. It can be fitted with up to 7 conductors and provides a power supply for mobile consumers and can be used to transfer control signals.

Safety: sets standards

The narrow opening in the enclosure virtually eliminates accidental contact with the conductors, allowing the DCL system be used for arm's length applications without any further safety measures. An additional sealing lip provides effective protection against dust and moisture. And of course, fire protection features to meet UL/VO specifications.

Easy to service: you benefit

One of the outstanding design features of the Demag Compact Line DCL is the current collector trolley which can be removed at any of the joints between the profile sections. This makes it possible to inspect and replace the sliding contacts with ease. The pre-assembled sliding contacts are simply inserted and connected and fixed using just one screw.

Power cables on the current collector trolley are connected to integrated conductors without the need for any complicated wiring.

Another practical feature: The straight sections can be simply replaced anywhere along the line, without having to push the conductors aside or pull them apart, and without the need to disassemble any other parts.

Functional profile section:

Accommodates expansion at all joint connections

Functional rail connectors:

Just tighten one retained screw for each conductor

Functional joint connectors:

Simply clip the two joint connectors together

**Fastening: simple and secure**

Whatever your support structure is like – the special fastening system with brackets which are simply clicked into place make it easy to fit the Demag Compact Line DCL – and guarantee that it is securely held in place.

The options: even more benefits**■ Stainless steel-plated copper conductors**

For contact surfaces resistant to abrasion and protected from oxidation in arduous ambient conditions or when seldom used. Available for the control conductors (poles 5, 6 and 7) and for all size 35/10 mm² conductors.

■ Silver-graphite contacts

The use of silver-graphite contacts in connection with stainless steel-plated copper conductors is recommended for improved contact reliability for control signal transfer, particularly with low voltages (24 – 48V, IN ≤ 1A).

■ Curved conductor sections

For implementing L-shaped, U-shaped and S-shaped track layouts as well as for circuits. Available for angles from 15° to 360° with a minimum radius of 800 mm.



Demag Cranes & Components GmbH

Drives

P.O. Box 67 · 58286 Wetter/Germany

Phone: +49 (0) 2335 92-0

Fax: +49 (0) 2335 92-7298

E-mail: drives@demagcranes.com

www.demagcranes.com